

LED Driver

1200HTH260CVG-xC-yyy

V1.0

2026/3/6

Powerland Signatures						
Prepared	Checked			Approved	Marketing	CPO
	Mechanical Engineer	Safety Engineer	R&D Manager			

Please return us one copy of the document with your approval signature.

请客户确认签字后回传我司此规格承认书。

Powerland Technology Inc.

南京博兰得电子科技有限公司

Building 9, No. 1 Zidan Rd., Qinhuai Dist., Nanjing, China

南京市秦淮区紫丹路设计产业园 9 号楼

Email: sales@powerlandtech.com Phone: +86-25-85582306

1200HTH260CVG-xC 1200W AC/DC Constant Current LED Driver with Optimized Multi-Channel Power Distribution

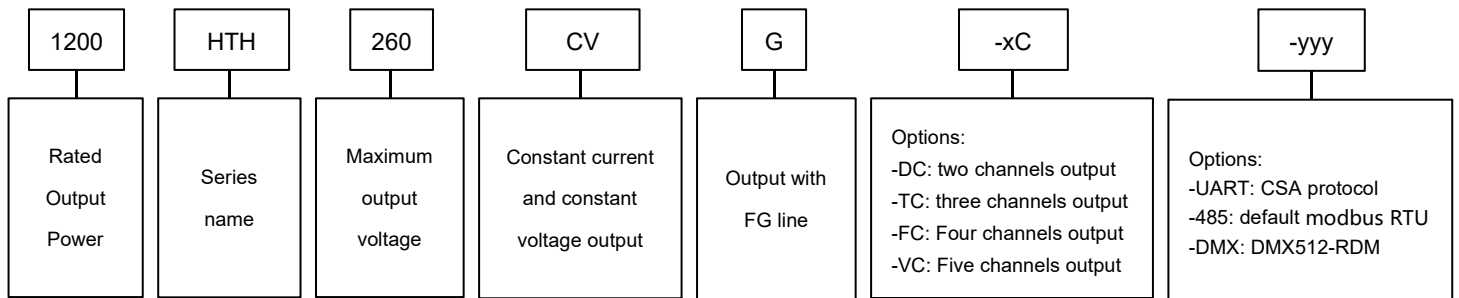
Features

- Multi-channel constant current output with a total output power of 1200W
- High efficiency: 94% typical @400 VAC, full load
- Ultra low THD at light load
- Dimming port programming without driver power on
- Optional UART Based Communication Protocol or RS485 Protocol Digital Dimming or DMX Dimming
- DMX512-RDM Control up to 40 fps
- Optimized Multi-channel Power Distribution

Description

1200W LED Drivers offers digital programmable drivers with wide-range adjustable output current, together with 12V/200mA auxiliary output for smart lighting.

Model Name Definition



Specifications

Part Number	Channels	PO_MAX (W)	IO_RANGE @ CC (A)	VO_RANGE (V)	Typical η (%) @ 400 VAC
1200HTH260CVG-DC	1	1200	2.31-5.77	200-260	94
	2	300	0.4-2	50-150	
1200HTH260CVG-TC	1	1200	2.31-5.77	200-260	94
	2, 3	300	0.4-2	50-150	
1200HTH260CVG-FC	1	1200	2.31-5.77	200-260	94
	2, 3, 4	300	0.4-2	50-150	
1200HTH260CVG-VC	1	1200	2.31-5.77	200-260	94
	2, 3, 4	300	0.4-2	50-150	
	5	100	0.2-0.75	50-150	

Note: The total power of all channels shall not exceed 1200 W, refer to Operation Range Curve and Operation principle of multi-channel optimized power distribution for the details.

These protocols of different communication interfaces can be obtained from sales.

Table of Contents

1. Input Specifications	2
2. Output Specifications	2
3. General Specifications	3
4. Dimming Specifications	3
4.1. DMX Dimming for the DMX model	3
4.2. RDM Protocol for the DMX model	3
4.3. Other Protocol	4
5. Isolation	4
6. Safety & EMC Compliance	4
7. Performance Curve	5
7.1. Inrush Current Curve	5
Figure 1. Inrush Current @ full load and cold start	5
7.2. Derating Curve	6
Figure 2. Input Voltage Derating Curve	6
7.3. Lifetime Curve	6
Figure 3. Life vs Case Temperature	6
7.4. Operation Range Curve	6
Figure 4. I/V Operating Area for CH1	6
Figure 5. I/V Operating Area for CH2,CH3,CH4	6
Figure 6. I/V Operating Area for CH5	7
7.5. General Performance Curve	7
Figure 7. Total Harmonics vs Input Voltage	7
Figure 8. Efficiency vs Input Voltage	7
Figure 9. Power Factor vs Input Voltage	7
8. Application Information	8
8.1. Operation principle of multi-channel optimized power distribution	8
Figure 10. The Block Diagram of Automatic Power Distribution for a 5-channel LED Driver	9
8.2. Programming	10
Figure 11. Programming Wiring	10
9. Mechanical Specification	11
Figure 12. Mechanical Drawing	11
10. Ordering information	11
11. Revision History	12

1. Input Specifications

	Parameter	Min.	Typ.	Max.	Unit	Notes
V_{IN_AC}	Rated Input AC Voltage	208	-	480	VAC	The upper limit voltage of CE certification:400 VAC
V_{IN_RANGE}	Input AC Voltage Range	187	-	528	VAC	
F_{LINE}	Input Frequency	47	-	63	Hz	
I_{LKG}	Leakage Current	-	-	0.75	mA	At 480 VAC/ 60 Hz input , grounding effectively
I_{IN_AC}	Input AC Current	-	-	3	A	Measured at 25°C, full load and 480 VAC input.
		-	-	6	A	Measured at 25°C, full load and 208 VAC input.
I_{PK_INRUSH}	Inrush Peak Current	-	-	35	A	At 480 VAC input, 25°C cold start. See Inrush Current Waveform for the details.
PF	Power Factor	0.9	-	-		At 208-480 VAC, full load, 25°C and 50 Hz
THD	Total Harmonic	-	-	20	%	
η	Efficiency	92	94	-	%	Measured at 400 VAC input, 100% load and steady-state temperature in 25°C ambient

2. Output Specifications

	Parameter	Min.	Typ.	Max.	Unit	Notes
I_{O_ACCU}	Output Current Accuracy relative to I_o set	-5	-	5	%	At 25°C and full load condition. Can contact sales ask for better current tolerance.
I_{O_RIPPLE}	Total Output Current Ripple (pk-pk) relative to I_o max	-	-	10	%	At 25°C and full load condition, 8 kHz BW
$I_{O_OVERSHOOT}$	Startup Overshoot Current relative to I_o max	-	-	20	%	At 25°C and full load condition, 8 kHz BW
V_{O_OCV}	No Load Output Voltage	-	275	290	V	
V_{O_LINE}	Line Regulation	-	-	±5	%	Measured at 25°C and full load
V_{O_LOAD}	Load Regulation	-	-	±5	%	At 25°C condition
T_{ON_DELAY}	Turn-on Delay Time	-	0.8	1.5	s	Measured at 277 VAC input.
I_{O_TC}	Temperature Coefficient of I_o set	-0.05	-	0.05	%/°C	Case temperature = 0°C ~Tc max
V_{O_AUX}	12V Auxiliary Output Voltage	11	12	15	V	
I_{O_AUX}	12V Auxiliary Output Current	0	-	200	mA	Return terminal is "Dim-"
T_{OTP}	Over Temperature Protection Threshold	90	-	100	°C	Output current will drop or shut down.
I_{SCP}	Short Circuit Protection Threshold					Auxiliary source: Hiccup mode, Auto recover

						Main output:Locked or auto recover
I _{OCP}	Over Current Protection Threshold					Locked or auto recover

3.General Specifications

	Parameter	Min.	Typ.	Max.	Unit	Notes
P _{STANDBY}	Standby power	-	-	2	W	Measured at 277 VAC/60 Hz ; Dimming off
T _{MTBF}	Mean Time Between Failure	234,000	-	-	Hours	Measured at 277 VAC input, 80% load and 25°C ambient temperature (MIL-HDBK-217F)
T _{LIFETIMELY}	Lifetime	50,000	-	-	Hours	Measured at 480 VAC input, 100% load and 75°C case temperature; See lifetime vs. Tc curve for the details
T _C	Operating Case Temperature	-40	-	90	°C	Under harsh conditions, when tc>85°C, it may trigger automatic derating to around 80%.
T _A	Operating Ambient Temperature	-40	-	50	°C	
T _{STG}	Storage Temperature	-40	-	85	°C	Humidity: 5%RH to 95%RH
	IP Grade	IP65				
	Dimensions	16.99×4.06×2.04			inch	
	L × W × H	431.6×103×51.8			mm	
	Net Weight	-	4.8	-	kg	

4.Dimming Specifications

4.1.DMX Dimming for the DMX model

Parameter	Min.	Typ.	Max.	Unit	Notes
DMX+ to DMX-	-5	-	7	V	
DMX+ to the case of the drive	22	-	-	MΩ	
DMX- to the case of the drive	22	-	-	MΩ	
Input Logic 0	-	-	-0.2	V	DMX+ to DMX-
Input Logic 1	0.2	-	-	V	DMX+ to DMX-
Communication Baud Rate	-	250	-	K bps	
Dimming Output Range relative to I _o max	2	-	100	%	

4.2.RDM Protocol for the DMX model

The RDM protocol is a bidirectional communication protocol based on the standard DMX512 protocol, which allows users to Configure, monitor, and query remote devices. The RDM protocol adds control to the DMX signal by adding control Information packets are used to achieve communication with devices.

The following are the registers supported by the RDM Protocol:

No	Address	Param	Value	R/W
Network Management(default)				
1	0x0001	DISC_UNIQUE_BRANCH		
2	0x0002	DISC_MUTE		
3	0x0003	DISC_UN_MUTE		
RDM Information(default)				
1	0x0050	SUPPORTED_PARAMETERS		R
2	0x0051	PARAMETER_DESCRIPTION		R
3	0x0060	DEVICE_INFO		R
4	0x00C0	SOFTWARE_VERSION_LABEL		R
5	0x00F0	DMX_START_ADDRESS		R/W
6	0x1000	IDENTIFY_DEVICE		R/W
RDM Information				
1	0x0080	DEVICE_MODEL_DESCRIPTION		R
2	0x0081	MANUFACTURER_LABEL	POWERLAND	R
3	0x0082	DEVICE_LABEL		R/W
4	0x00E0	DMX_PERSONALITY		R/W
5	0x0120	SLOT_INFO		R
6	0x0121	SLOT_DESCRIPTION		R
7	0x0200	SENSOR_DEFINITION	Voltage,Current,Temp	R
8	0x0201	SENSOR_VALUE		R
9	0x0400	DEVICE_HOURS		R
10	0x0403	LAMP_STATE		R
11	0x0405	DEVICE_POWER_CYCLES		R

4.3.Other Protocol

Please contact us for UART and RS485 dimming protocol.

5.Isolation

Isolation	AC Input	DC Output	Dimming (SELV)	Housing
AC Input	/	Double isolation	Double isolation	Basic
DC Output	Double isolation	/	Basic	Basic
Dimming	Double isolation	Basic	/	Basic
Housing	Basic	Basic	Basic	/

6.Safety & EMC Compliance

Safety Category	Standard
Dielectric Strength(Hi-pot)	Primary to Output: 3600 VAC 10mA max.
	Primary to Dimming: 3600 VAC 10mA max.
	Primary to Earth: 1960 VAC 10mA max.
	Output to Earth: 1560 VAC 10mA max.
	Dimming to Output: 1560 VAC 10mA max.

Insulation Resistance	50Mohm min.@ primary to secondary add 500Vdc test voltage
Grounded Resistance	0.1Ω max. @ 25A, 1 minute
EMI Standards	Notes
EN55015	ANSI C63.4:2009 Class B
	This device complies with Part 15 of the FCC Rules. Operation is subject to the following two conditions: (1) this device may not cause harmful interference, and (2) this device must accept any interference received, including interference that may cause undesired Operation.
EMS Standards	Notes
EN 61000-4-2	Electrostatic Discharge (ESD): 8 kV air discharge, 4 kV contact discharge, criteria A
EN 61000-4-3	Radio-Frequency Electromagnetic Field Susceptibility Test-RS, criteria A
EN 61000-4-4	Electrical Fast Transient / Burst-EFT: level 3, criteria B
EN 61000-4-5	Surge Immunity Test: AC Power Line: line to line 4 kV, line to earth 6 kV, criteria B
EN 61000-4-6	Conducted Radio Frequency Disturbances Test-CS, criteria A
EN 61000-4-8	Power Frequency Magnetic Field Test, criteria A
EN 61000-4-11	Voltage Dips, criteria B
EN IEC 61547	Electromagnetic Immunity Requirements Applies To Lighting Equipment

Note1: This LED driver meets the EMI specifications above, but EMI performance of a luminaire that contains it depends also on the other devices connected to the driver and on the fixture itself.

7. Performance Curve

7.1. Inrush Current Curve

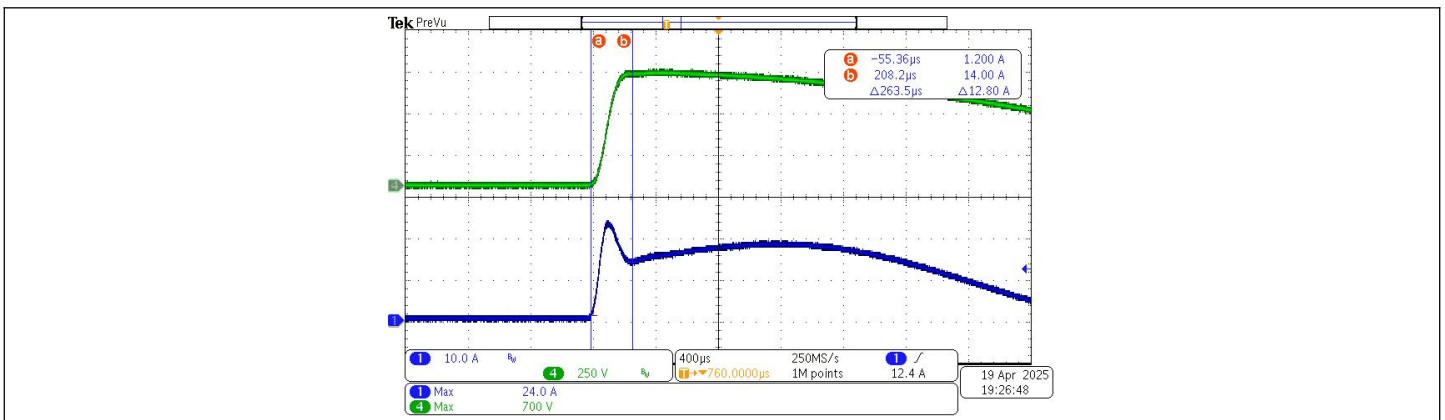


Figure 1. Inrush Current @ full load and cold start

Vin(VAC)	F _{LINE} (Hz)	I _{PK_INRUSH} (A)	T _{DURATION} (µs)
480	60	24	263.5

7.2. Derating Curve

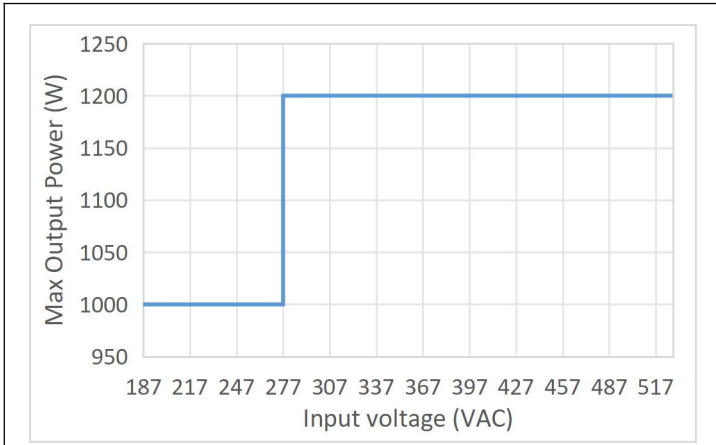


Figure 2. Input Voltage Derating Curve

7.3. Lifetime Curve

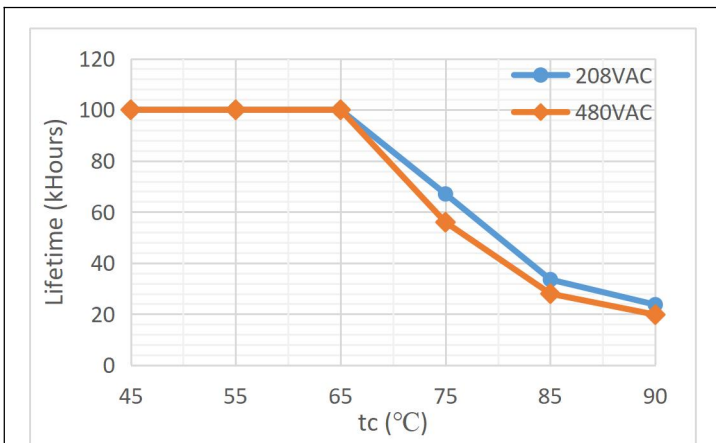


Figure 3. Life vs Case Temperature

7.4. Operation Range Curve

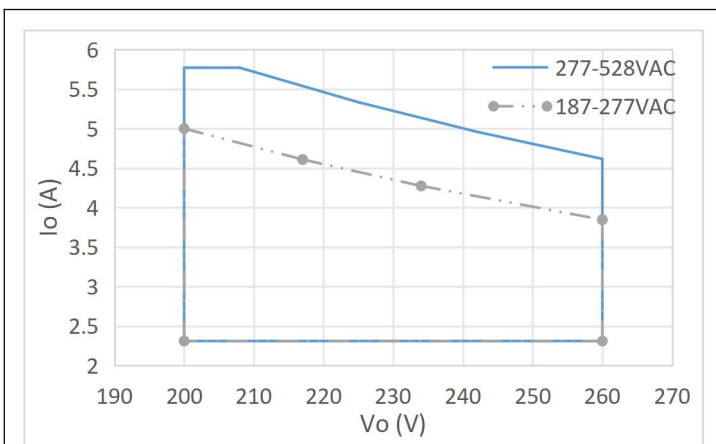


Figure 4. I/V Operating Area for CH1

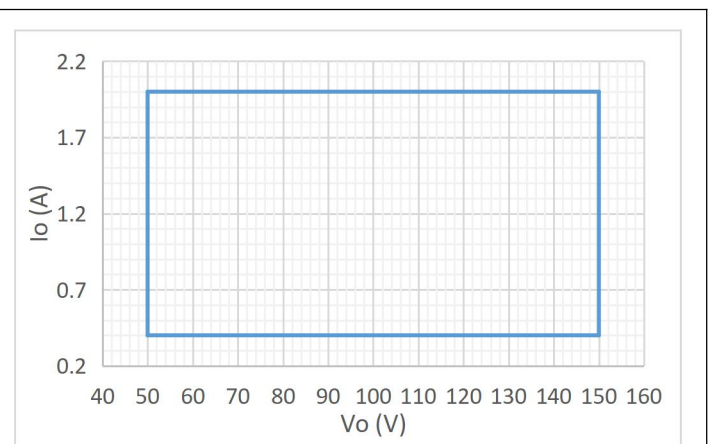


Figure 5. I/V Operating Area for CH2, CH3, CH4

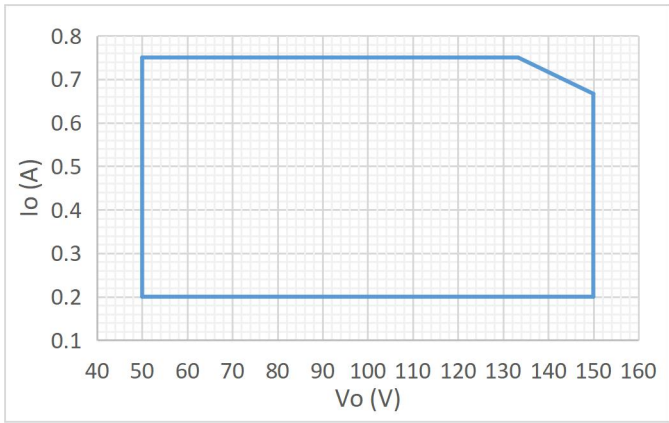


Figure 6. I/V Operating Area for CH5

Note2: When both main output and the auxiliary output are opened simultaneously, the output voltage range of the main road becomes 220 to 260 VDC.

7.5. General Performance Curve

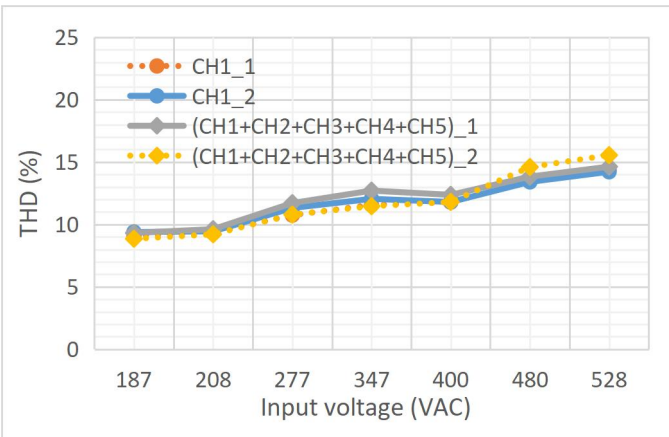


Figure 7. Total Harmonics vs Input Voltage

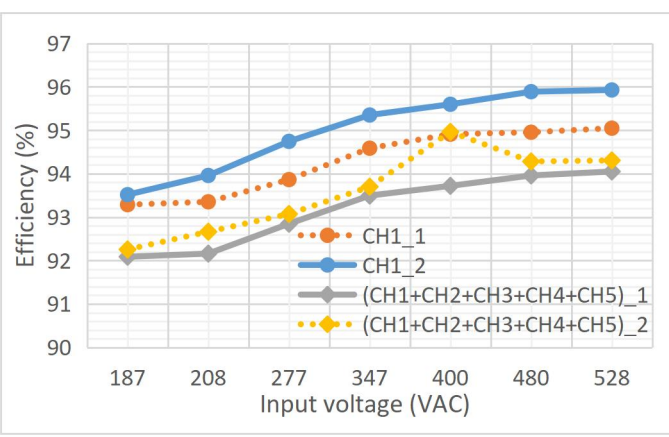


Figure 8. Efficiency vs Input Voltage

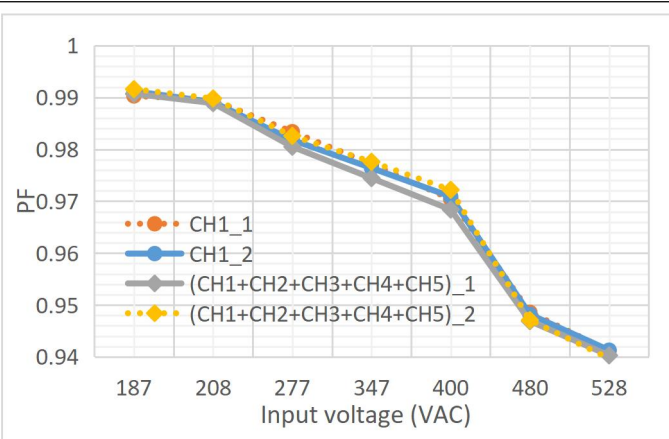


Figure 9. Power Factor vs Input Voltage

Curve Explanation:

Part Number	Legend Model	Channels	Vo(V)	Io set(A)	Po(W)	
1200HTH260CVG-xC	CH1_1	1	208	5.77	1200	
	CH1_2	1	260	4.615	1200	
	(CH1+CH2+CH3+CH4+CH5)_1	1	1	208	0.962	1200
		2	2	150	2	
		3	3	150	2	
		4	4	150	2	
		5	5	133.3	0.75	
	(CH1+CH2+CH3+CH4+CH5)_2	1	1	260	0.769	1200
		2	2	150	2	
		3	3	150	2	
		4	4	150	2	
		5	5	133.3	0.75	

8.Application Information

8.1.Operation principle of multi-channel optimized power distribution

The following figure shows the block diagram of the automatic power distribution feature of the multi-channel AC/DC LED driver. Taking a 5-channel driver as an example, there are four buck converters taking the output of the main converter as the input. Therefore, Vo2, Vo3, Vo4 and Vo5 are lower than Vo1. The maximum actual power of the driver, Pmax, is configured via Pmax_Config as a percentage of the LED driver's maximum rated power, the default value of Pmax is 1200W. The available maximum power can be shared among all channels or delivered to Channel 1 only when all other channels are turned off. This automatic power distribution feature optimizes overall hardware utilization.

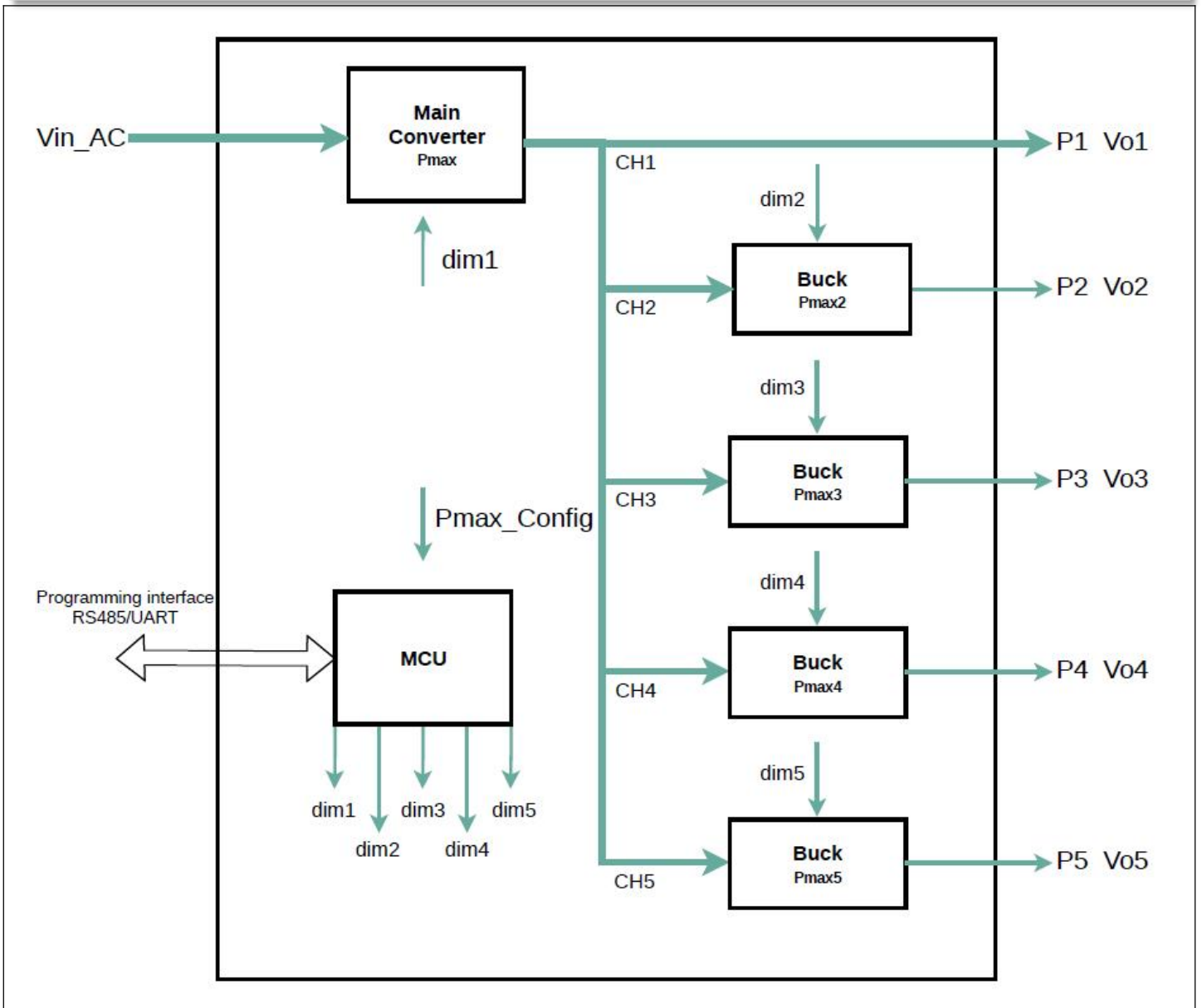


Figure 10. The Block Diagram of Automatic Power Distribution for a 5-channel LED Driver

The power delivered to Channel 1 is defined by the lower $P1$ value of Equation (1) and (2):

$$P1 = Pmax - (Pmax2 \cdot dim2 + Pmax3 \cdot dim3 + Pmax4 \cdot dim4 + Pmax5 \cdot dim5) \tag{1}$$

$$P1 = Pmax \cdot dim1 \tag{2}$$

Where the $Pmax$ is the maximum actual power available shared by all channels; the $dim1, dim2, dim3, dim4, dim5$ are the dimming factors, the percentage ratios of the desired output current over the configured output current for each of the respective converter. Equation (1) also shows that Channel 2, 3, 4 and 5 have higher priorities than Channel 1. After supplying $P2, P3, P4,$ and $P5$, the remaining power will be delivered to Channel 1. When there is no power delivery for $P2, P3, P4$ and $P5$, the maximum output power of $P1$ can be as high as $Pmax$.

As we can find from the analysis, the converter achieves the controlled thermal and reliable operation by the active control of the maximum power delivered. The power sharing scheme optimize.

8.2.Programming

- Programmer:Supro3.0
- Software:Supro3.0

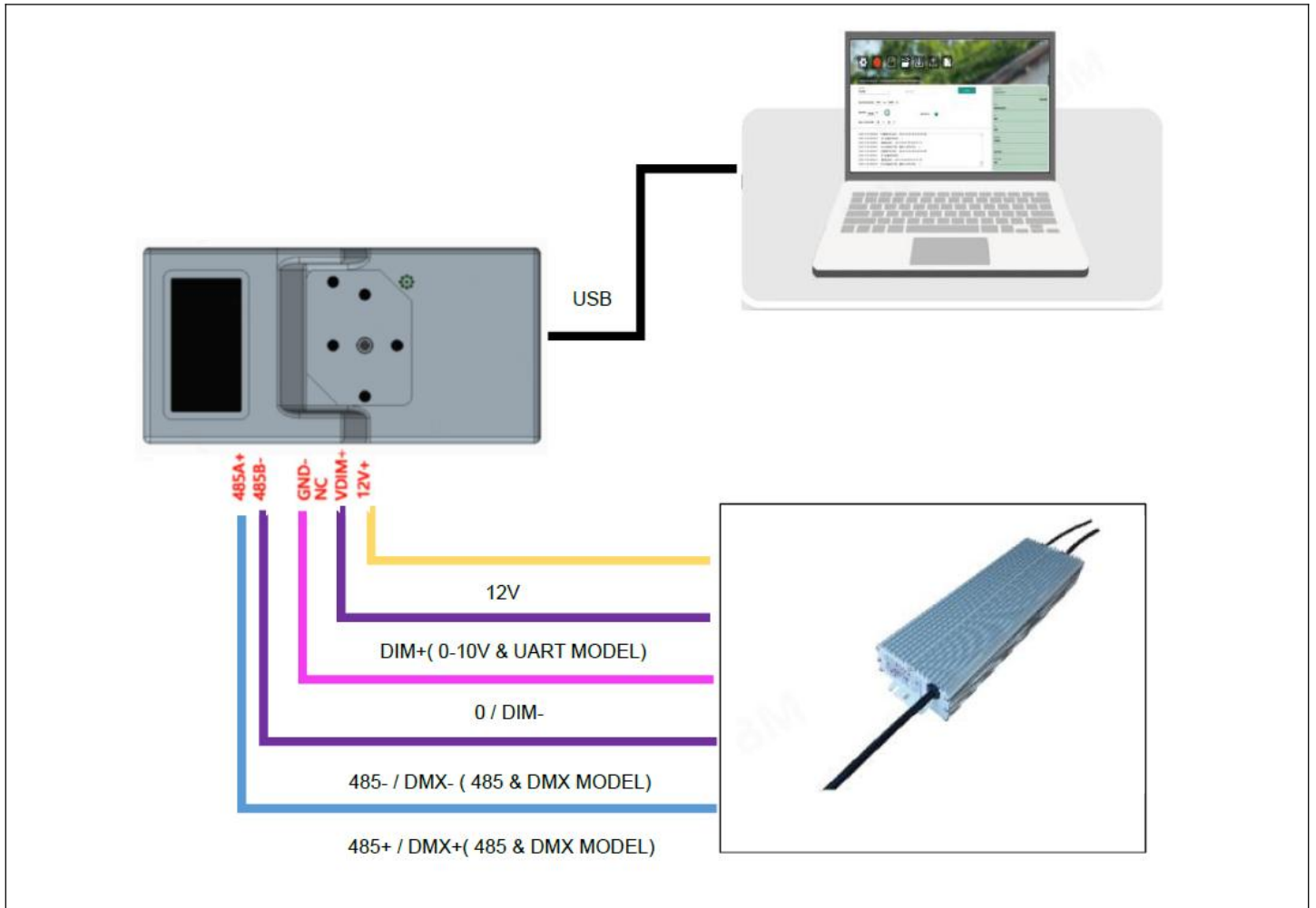


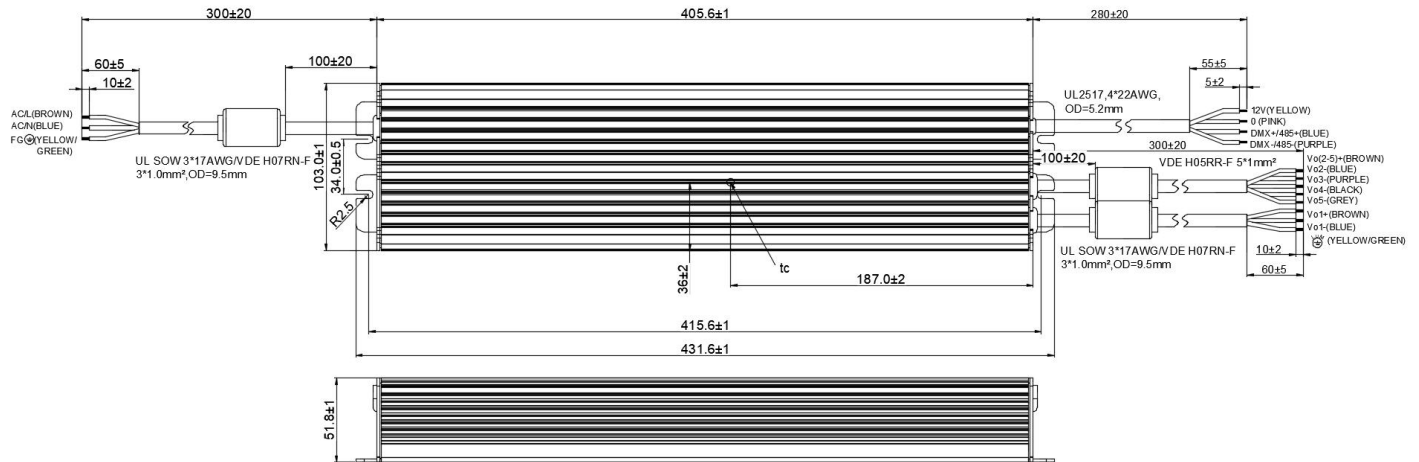
Figure 11.Programming Wiring

Note3:Please download related documents on the website or ask sales for help.

Website like:https://led.powerlandtech.com/product_new/Other.

9.Mechanical Specification

Take 1200HTH260CVG-VC-485 as a example:



Unit:mm

Figure 12.Mechanical Drawing

Note4:This diagram uses a 5-output channel configuration as an example—each reduction in output channels decreases one wire core in the auxiliary output.

Model	Auxiliary source wire
-DC	VED H05RR-F 2 x 1mm ² , Vo2-(BLUE)/Vo2+(BROWN)
-TC	VED H05RR-F 3 x 1mm ² , Vo2-(BLUE)/Vo3-(PURPLE)/Vo(2-3)+(BROWN)
-FC	VED H05RR-F 4 x 1mm ² , Vo2-(BLUE)/Vo3-(PURPLE)/Vo4-(BLACK)/Vo(2-4)+(BROWN)
-VC	VED H05RR-F 5 x 1mm ² , Vo2-(BLUE)/Vo3-(PURPLE)/Vo4-(BLACK)/Vo5-(GREY)/Vo(2-5)+(BROWN)

Model	Dimming wire
-UART	UL2517, 4 x 22AWG, OD=5.2mm, N/A(BLUE)/DIM+(PURPLE)/12V(YELLOW)/DIM-(PINK)
-485	UL2517, 4 x 22AWG, OD=5.2mm, 485+(BLUE)/485-(PURPLE)/12V(YELLOW)/0(PINK)
-DMX	UL2517, 4 x 22AWG, OD=5.2mm, DMX+(BLUE)/DMX-(PURPLE)/12V(YELLOW)/0(PINK)

10.Ordering information

Part Number	Rated Input AC Voltage (VAC)	Channels output	Output whether with FG line	Dimming
1200HTH260CVG-DC-485	208-480	2	With	485
1200HTH260CVG-DC-UART	208-480	2	With	UART
1200HTH260CVG-DC-DMX	208-480	2	With	DMX
1200HTH260CVG-TC-485	208-480	3	With	485
1200HTH260CVG-TC-UART	208-480	3	With	UART
1200HTH260CVG-TC-DMX	208-480	3	With	DMX

1200HTH260CVG-FC-485	208-480	4	With	485
1200HTH260CVG-FC-UART	208-480	4	With	UART
1200HTH260CVG-FC-DMX	208-480	4	With	DMX
1200HTH260CVG-VC-485	208-480	5	With	485
1200HTH260CVG-VC-UART	208-480	5	With	UART
1200HTH260CVG-VC-DMX	208-480	5	With	DMX

11.Revision History

Change Date	Rev.	Description of Change		
		Item	From	To
2026/3/6	V1.0			